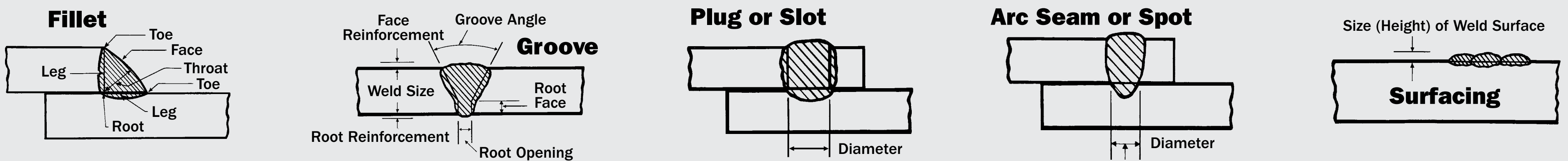




Electrode Technical Information

Hobart Filler Metals continues to advance the science of welding, bringing new, innovative solutions to customers around the world. Hobart is dedicated to providing the technology, the expertise and the commitment to quality required to keep pace with an evolving industry.

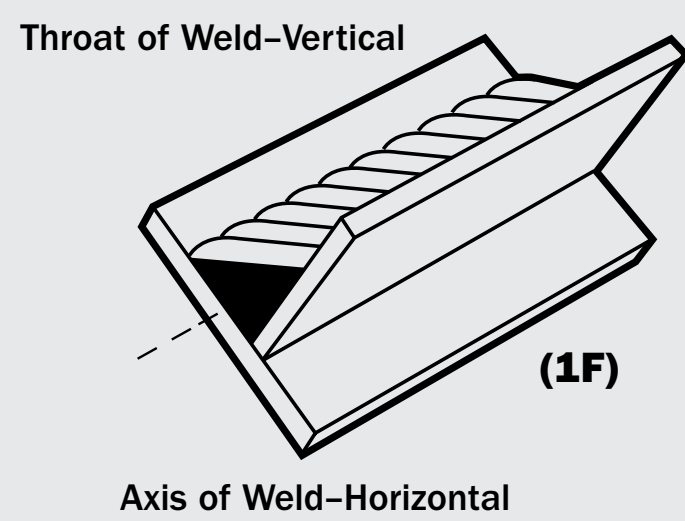
Types of Welds



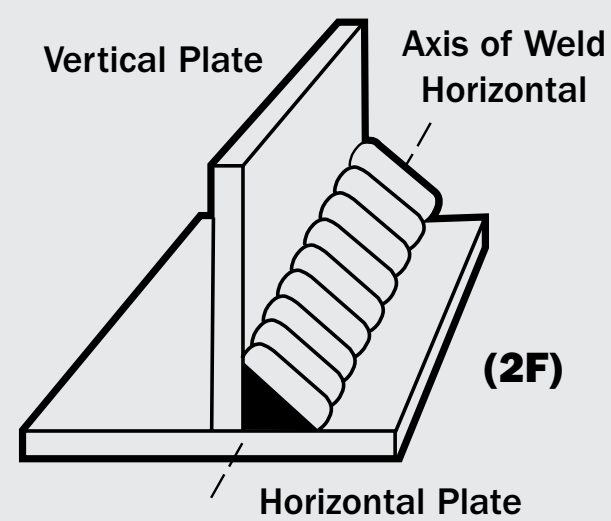
Welding Positions

Fillet Weld

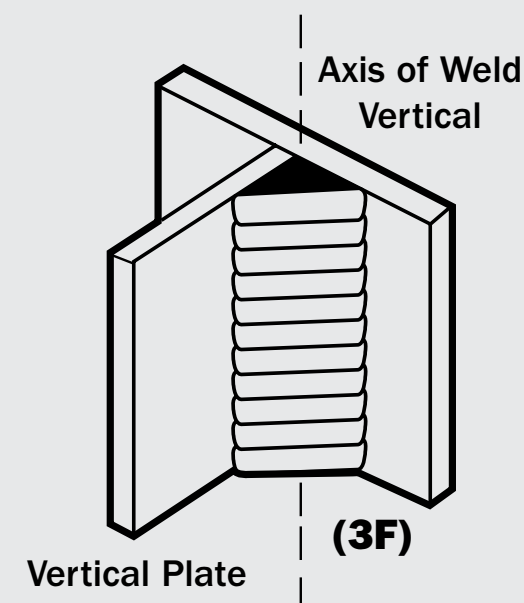
Flat Position



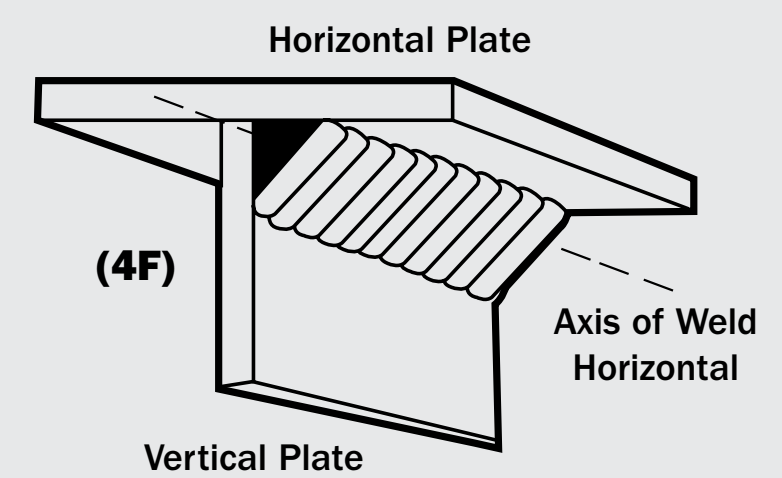
Horizontal Position



Vertical Position



Overhead Position



Groove Weld

